

hup!<sup>®</sup>  
The better way to build



# Variable corners technical sheet

Version 1.0 | 11.23

# Variable Corners



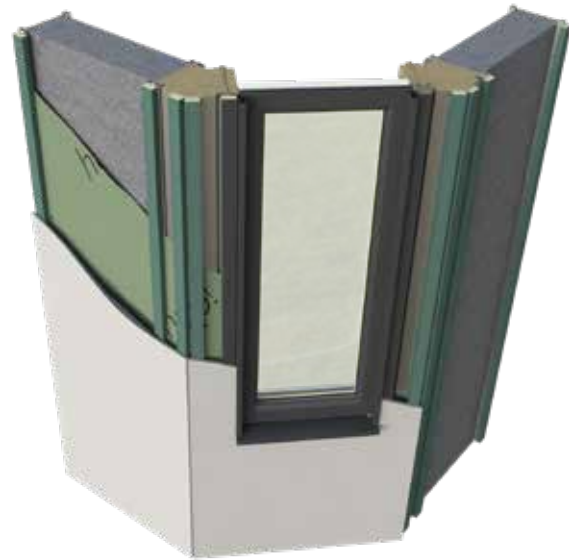
## Variable corners are now available with hup!

Transform old Victorian conservatories in to modern, energy efficient extensions with solid walls and windows wherever homeowners choose. hup!'s lightweight, energy efficient walls are quick, easy, and cost effective to build onto existing bases.

As hup! is so lightweight you can use the old conservatory base and re-build a brand new extension with walls, windows and doors wherever required.

### Key specification criteria

- Variable corners are available with wall or window / doors at either side.
- Available in angles from 90° to 170°.
- Suitable for use on 3, 5 and 7 bay Victorians.
- 2 variable corners available: small corner and medium corner.



# Frame Deduction

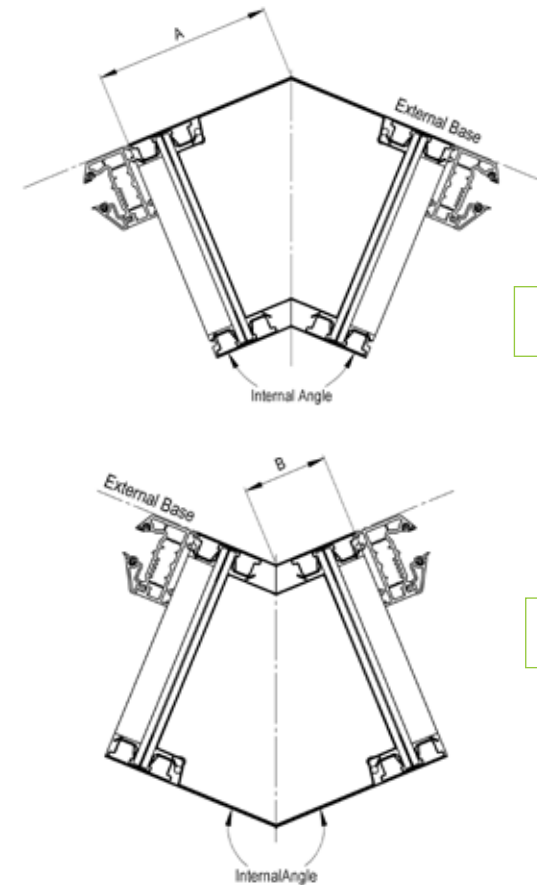
## Frame deduction with variable corners

When specifying variable corners the size of the hup! corner will be a different size than the existing window frame. The below frame deduction will need to be completed depending on the angle of the hup! variable corner when ordering your window frame.

The table below shows the variable corners going into a window or door frame. Panels next to a variable corner can be used and the sizes range from 100mm up to 600mm, see page 4 for medium corner details showing the corner and panel.

### Small Corner (no panel)

External Corner		Internal Corner	
Angle (°)	A (mm)	Angle (°)	B (mm)
95	259	265	75
100	244	260	75
105	231	255	75
110	218	250	75
115	206	245	75
120	195	240	75
125	184	235	75
130	174	230	75
135	164	225	75
140	154	220	75
145	145	215	75
150	136	210	75
155	127	205	75
160	119	200	75
165	110	195	75
170	102	190	75



External Corner

Internal Corner



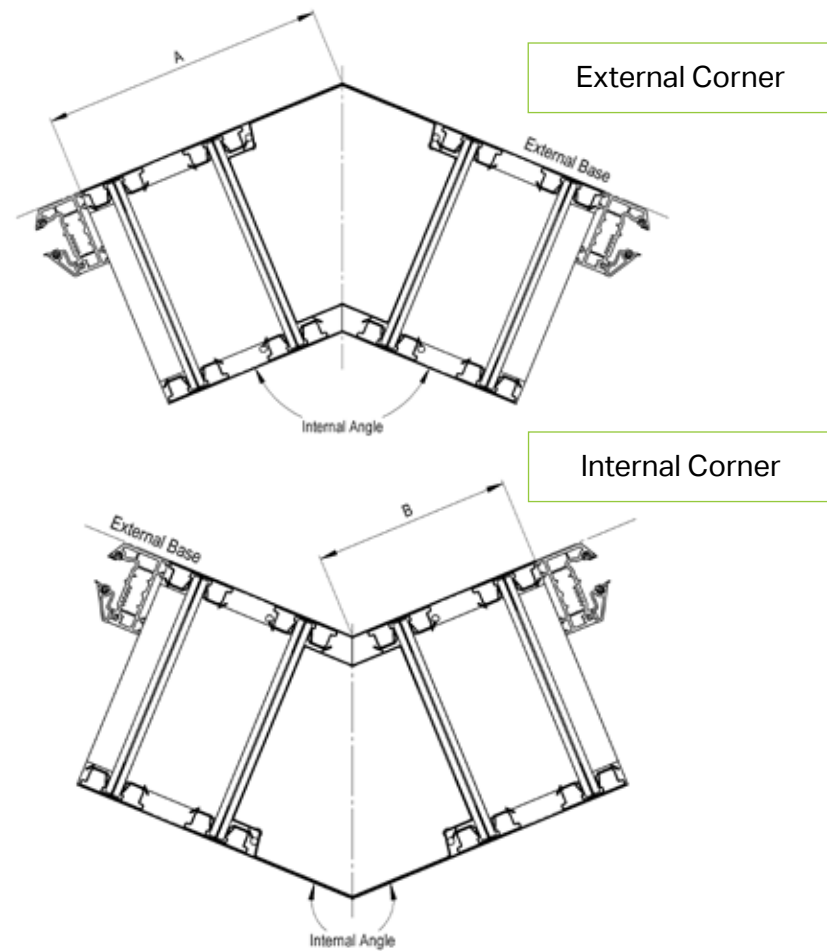
# Frame Deduction

## Medium Corner (with panel)

Panels can be inserted next to a variable corner, the size of the panel can range from 100mm up to 600mm.

The table below shows the sizes for a 100mm panel. To work out the frame deduction for other panels sizes, please see details below.

External Corner		Internal Corner	
Angle (°)	A (mm)	Angle (°)	B (mm)
95	359	265	175
100	344	260	175
105	331	255	175
110	318	250	175
115	306	245	175
120	295	240	175
125	284	235	175
130	274	230	175
135	264	225	175
140	254	220	175
145	245	215	175
150	236	210	175
155	227	205	175
160	219	200	175
165	210	195	175
170	202	190	175



### Example for a 500mm panels:

Example: If a 500mm panel is specified, add 400mm (500mm-100mm) to the sizes shown in Internal Corner A (mm) and External Corner B (mm) of the below table.

Internal Corner		External Corner	
Angle (°)	A (mm)	Angle (°)	B (mm)
95	759	665	175

# Design Concepts

See below some design concepts of how you can convert an old victorian conservatory into a hup! extension. These have been shown with a hybrid roof as the roof type but a glass roof or tiled roof can be used.



A solid wall at front finished off in slatted cladding\*.



A window within the solid wall finished in render.



A full height window at front finished in render.



A window within the solid wall finished in render with slatted claddings on the wall next to the doors.

\*Slatted cladding suppliers are: Ecoscape, Cladco, Neotimber.

