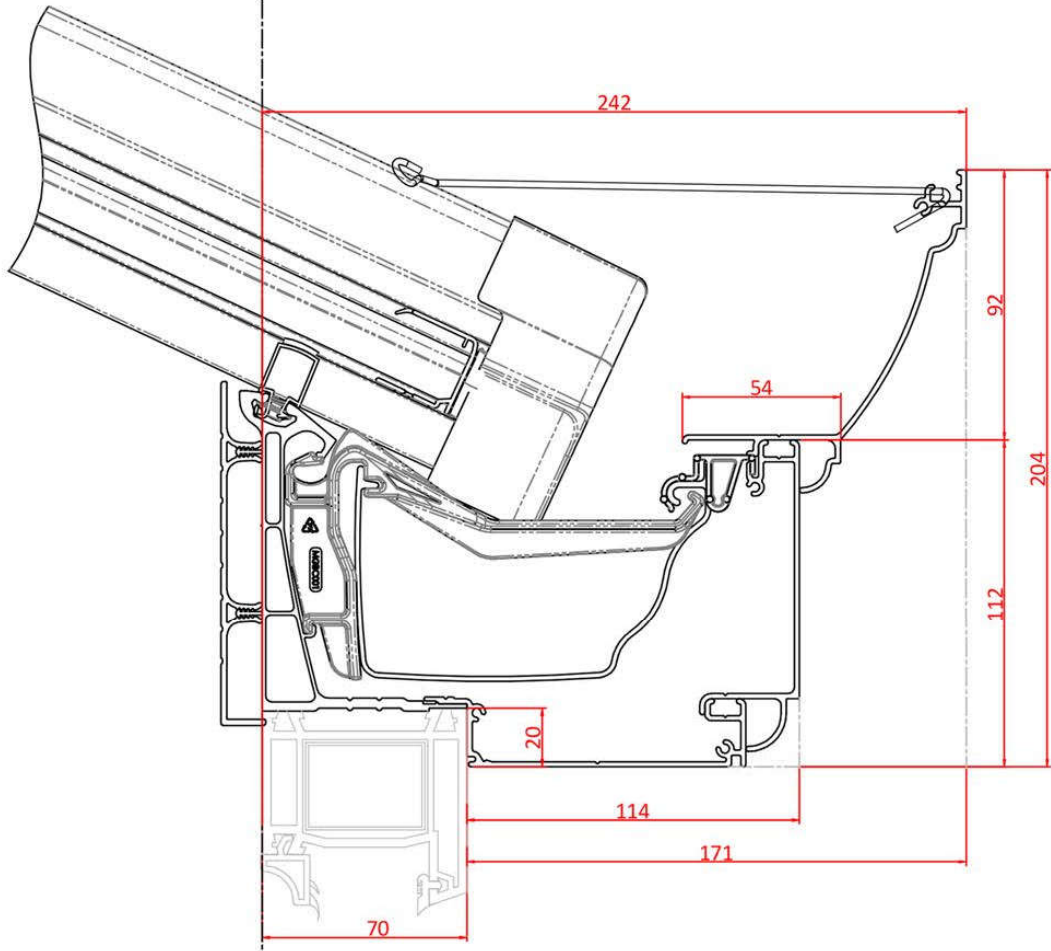
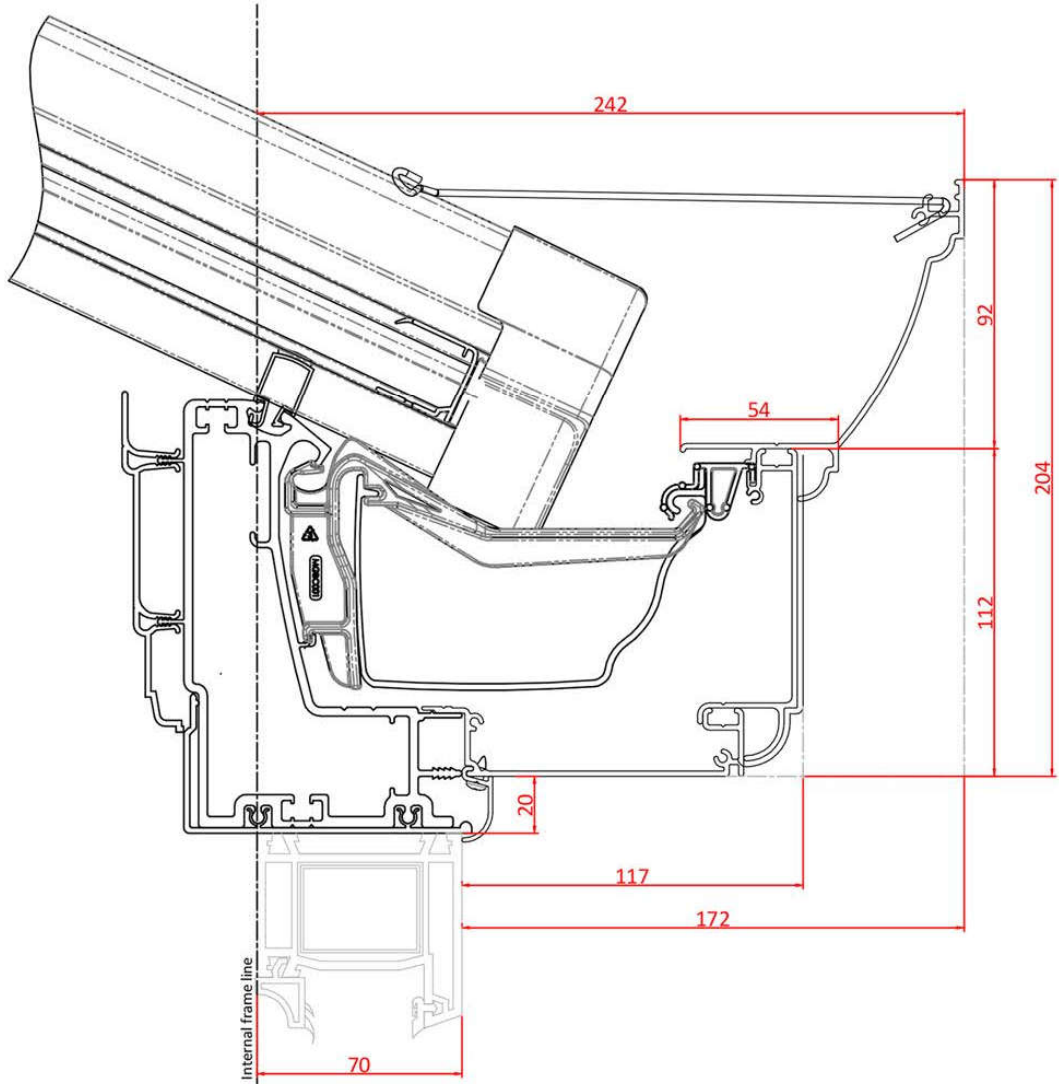


Cornice

Standard Eaves Beam

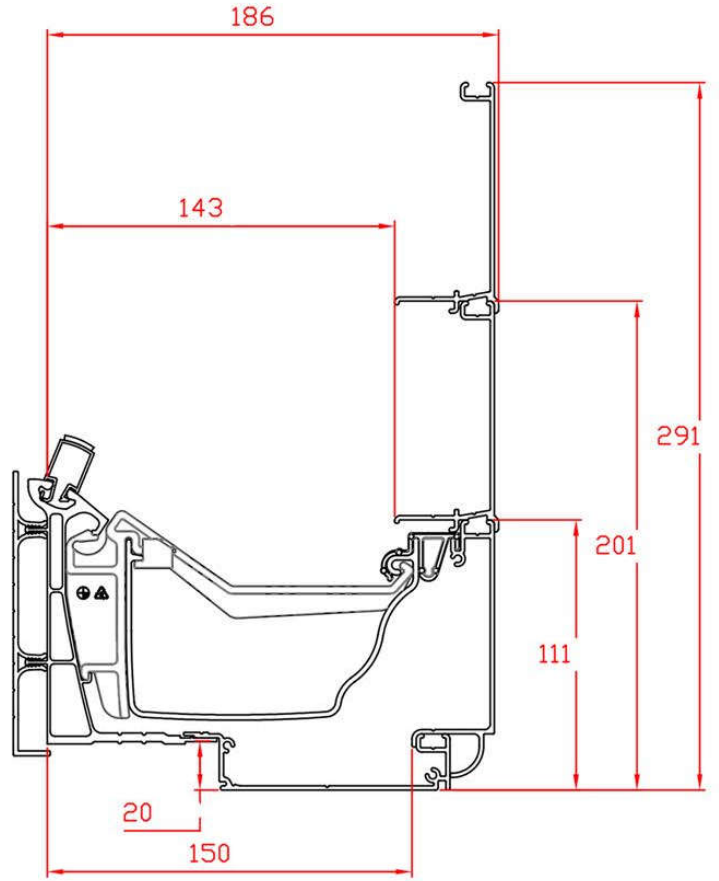
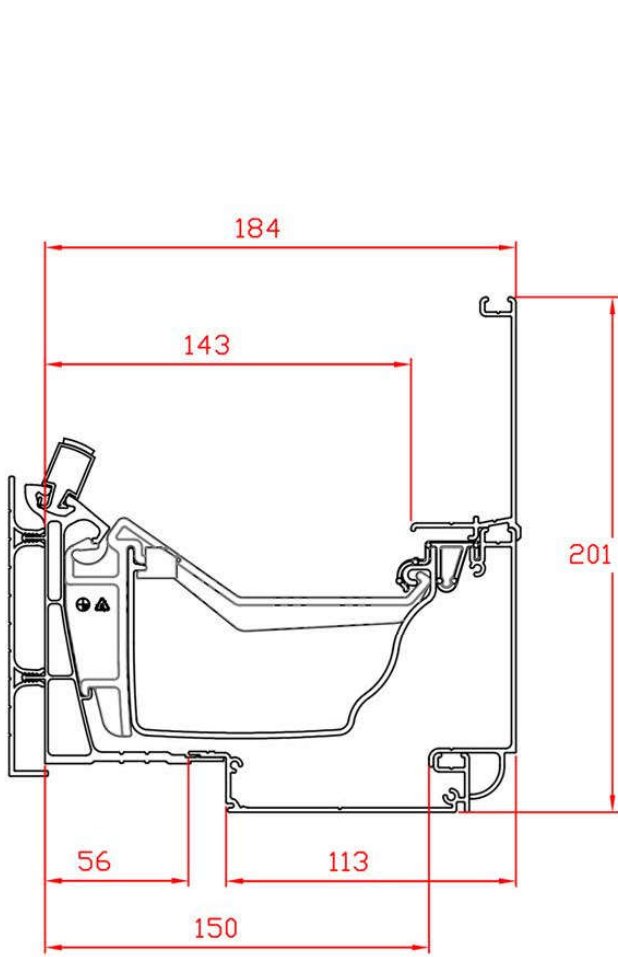


Structural Eaves Beam



Cornice

Two Tier Standard Eaves Beam



Three Tier Structural Eaves Beam

