

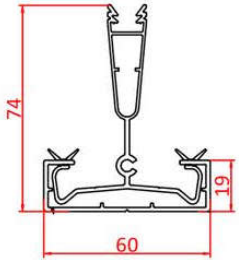
Bar only

25mm Glazing Only

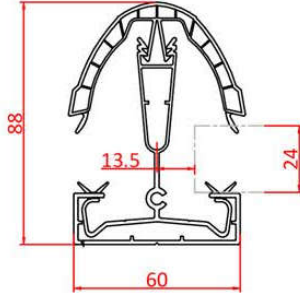
35mm Glazing Only

Aluminium

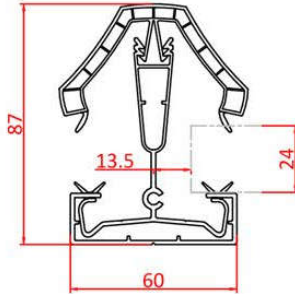
Light Bar



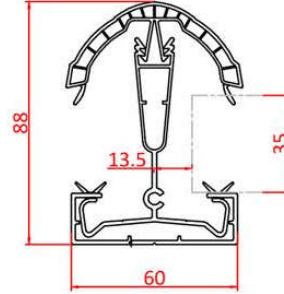
Dome PVC 25mm glazing only



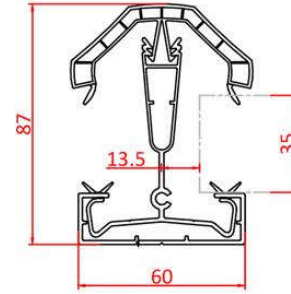
Bevel PVC 25mm glazing only



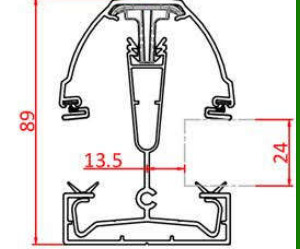
Dome PVC 35mm glazing only



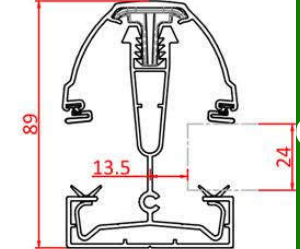
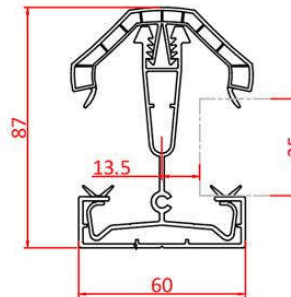
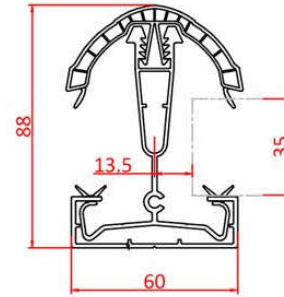
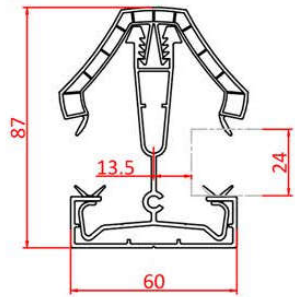
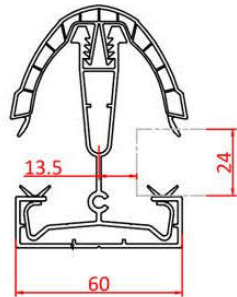
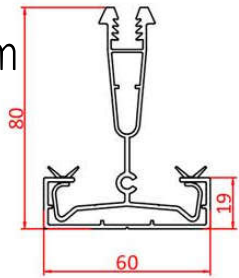
Bevel PVC 35mm glazing only



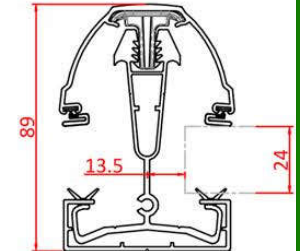
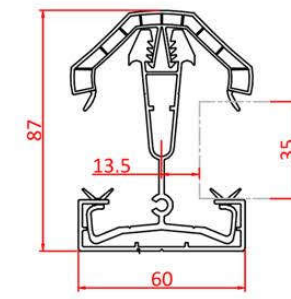
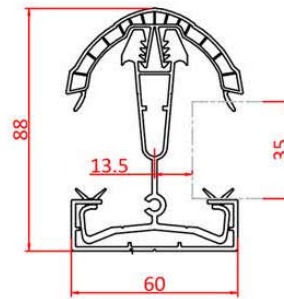
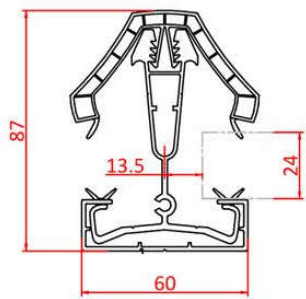
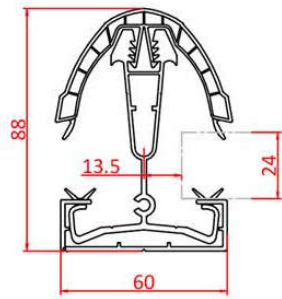
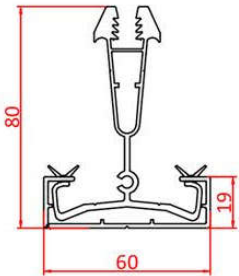
Aluminium 25mm glazing only



Medium Bar



Heavy Bar

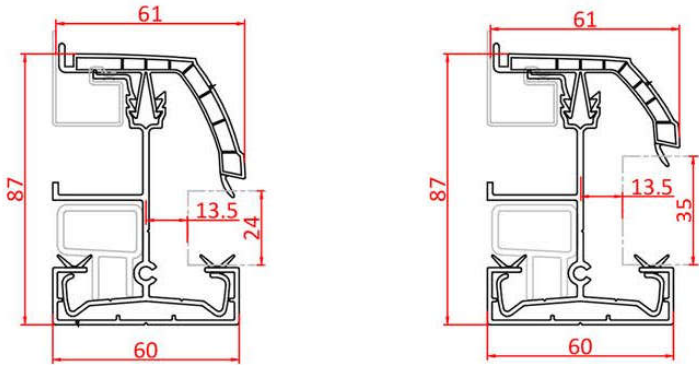


Transom Glazing Bars

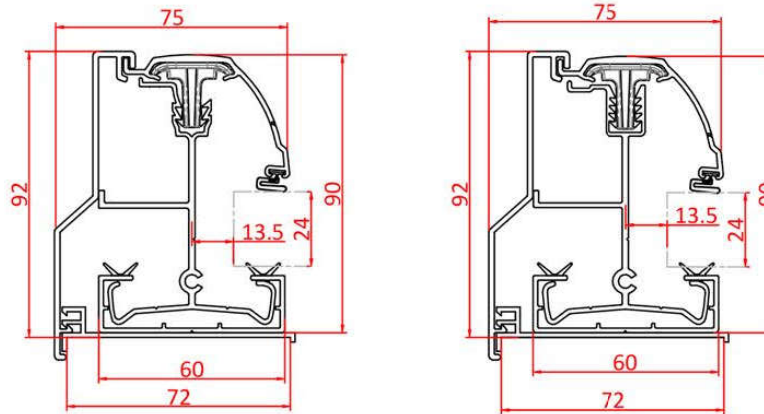
Starter Bars 25/35mm

25mm Aluminium Options

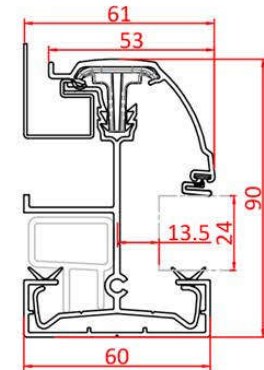
Starter Bars - PVC 25 and 35mm



Gable Bars - Aluminium 25mm only



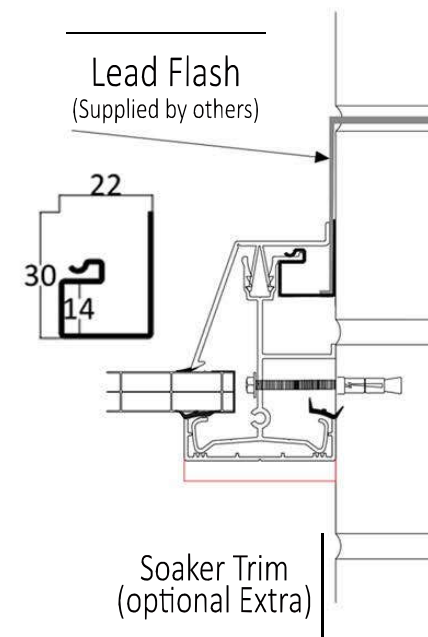
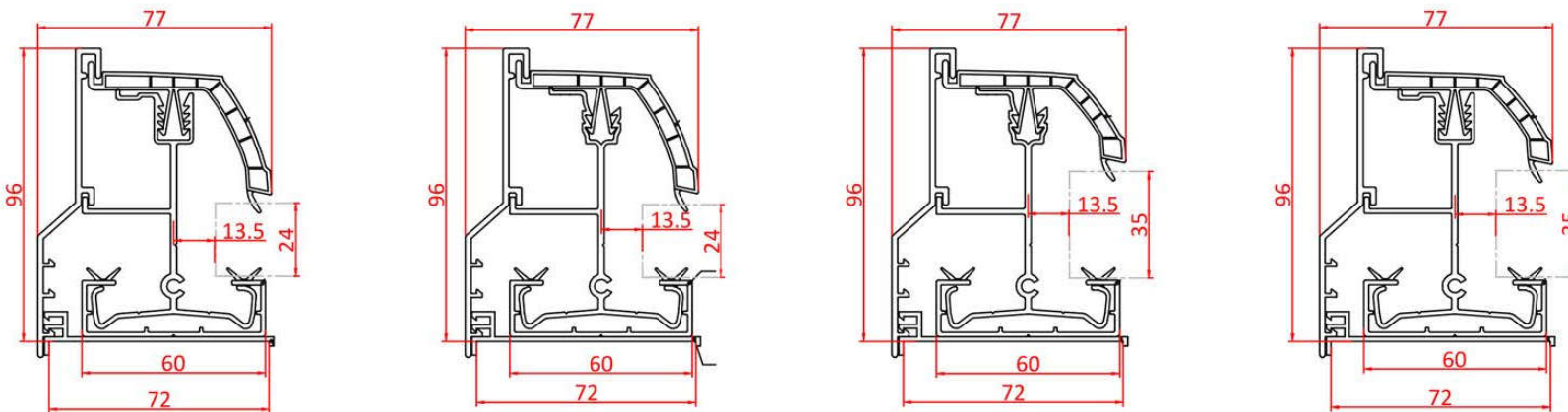
Starter Bar - Ali



Gable Design Starter Bars 25/35mm

Soaker Trim

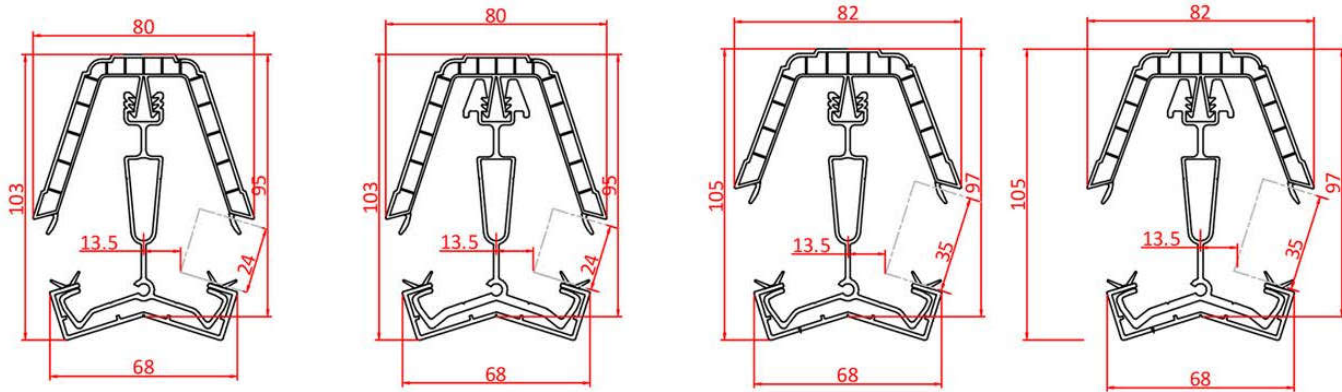
Gable Bars - PVC - 25 and 35mm glazing



Starter and Gable Glazing Bars

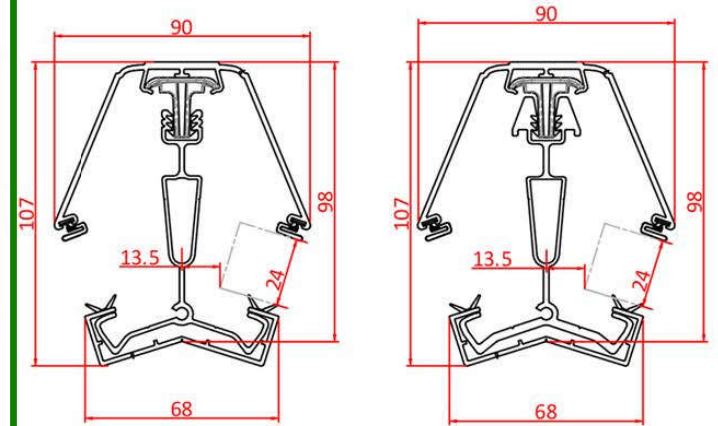
Georgian Hip Bars 25/35mm

Georgian Hip Bars - PVC 25 and 35mm glazing



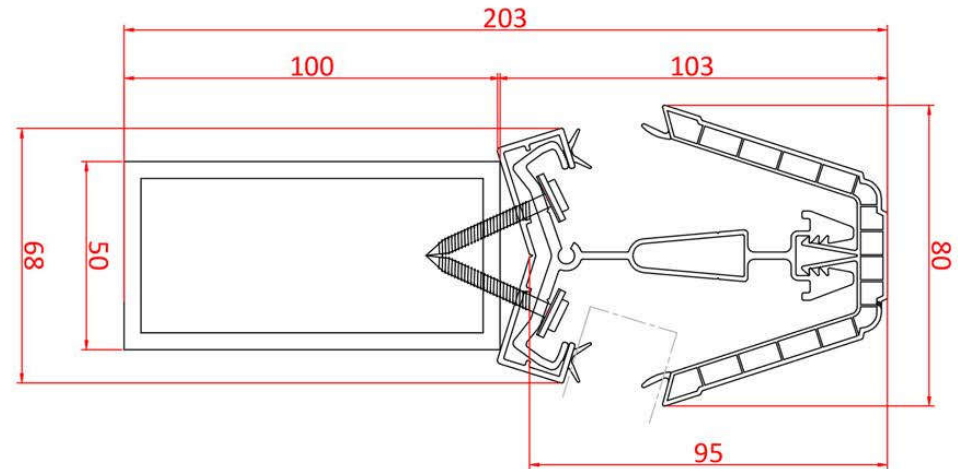
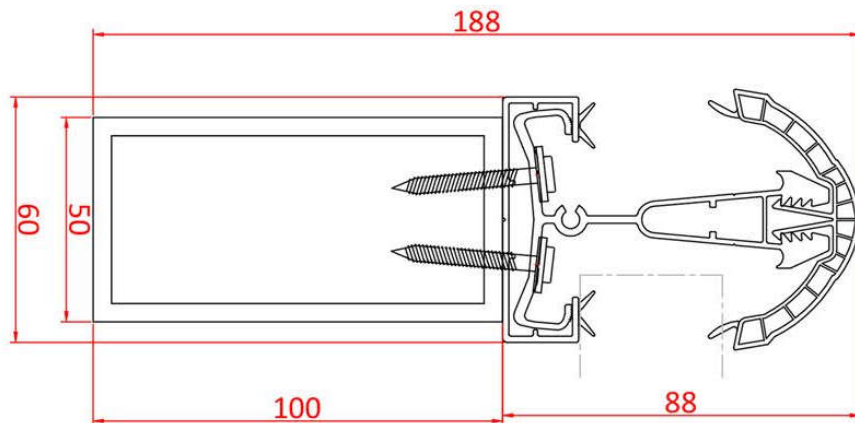
25mm Aluminium Options

Georgian Hip Bars - Aluminium 25mm only



Transom Bar/Victorian Hips -Super-Bolsters-

Georgian Hip



Hip Glazing Bars and Super-Bolsters

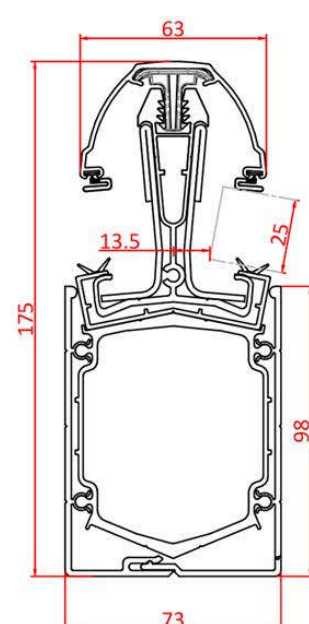
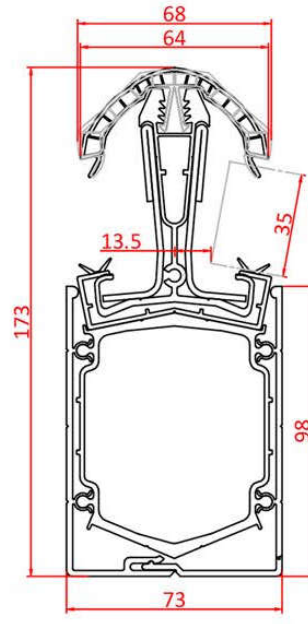
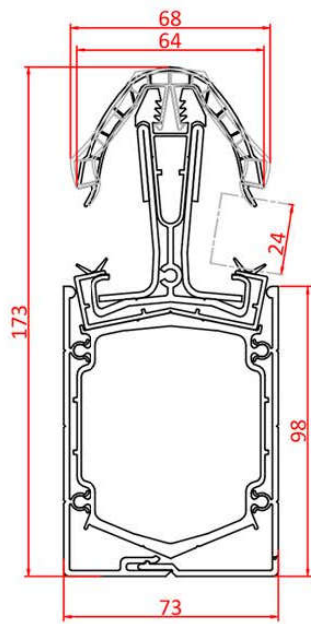
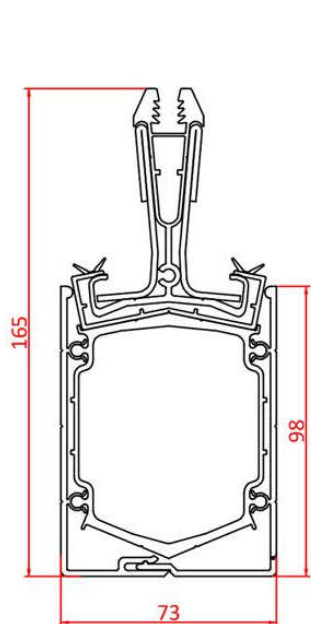
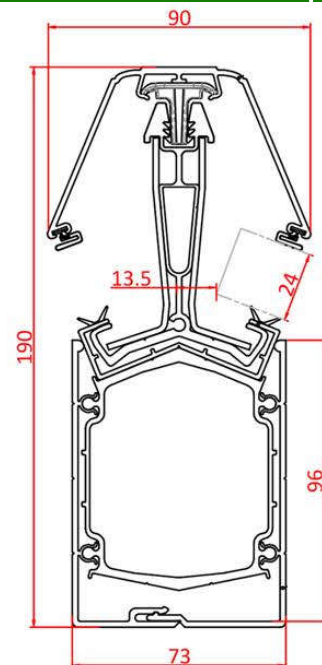
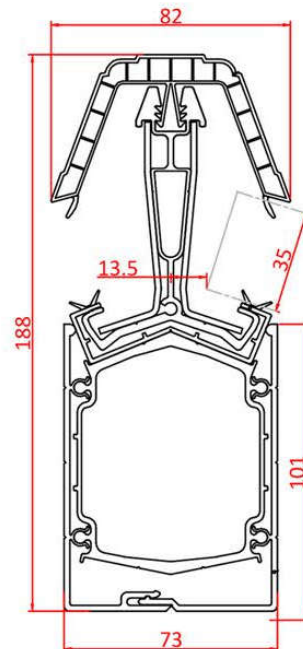
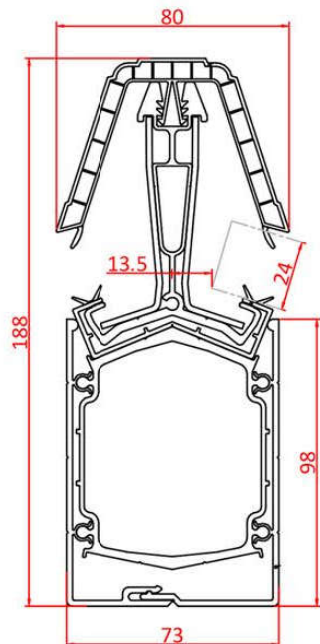
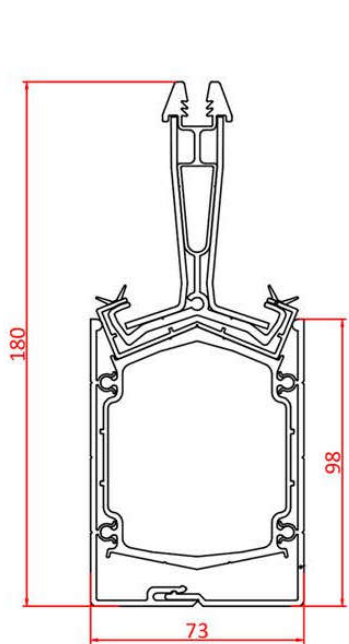
Georgian Hip Bar

Victorian Hip/Transom Bar

25mm Option

35mm Option

Aluminium Option



Bolstered Glazing Bars