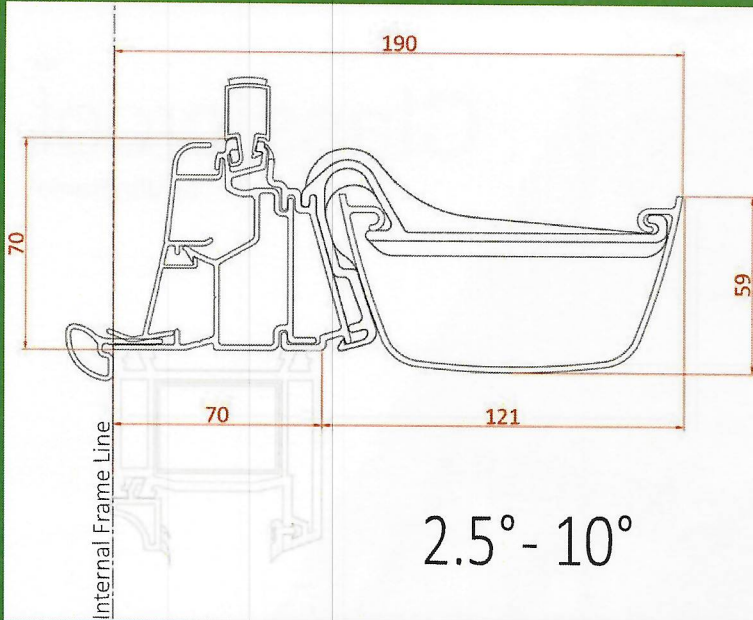
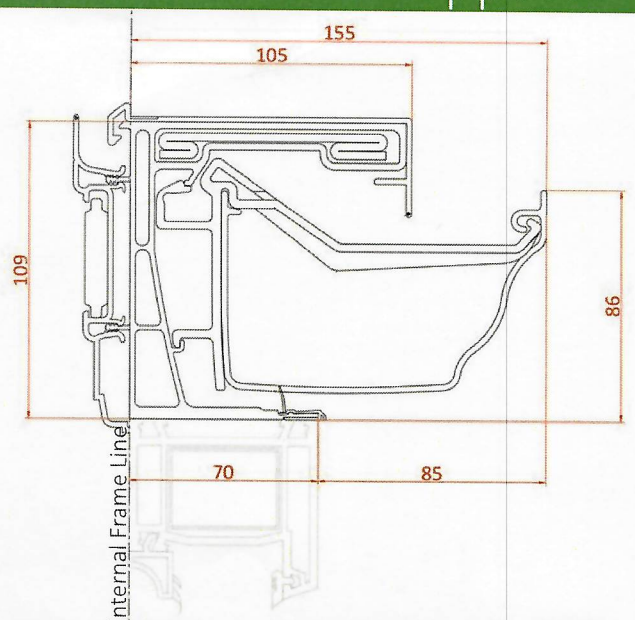


## Low Pitch Eaves Beam

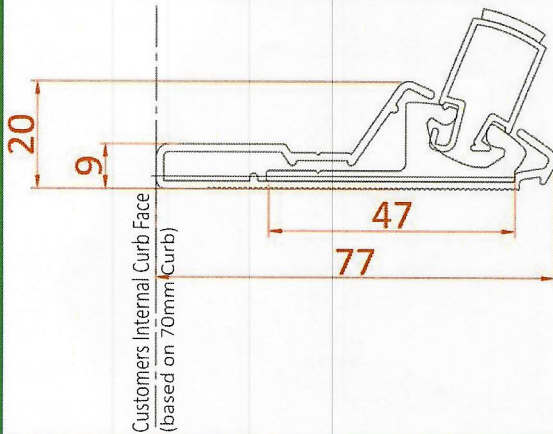


2.5° - 10°

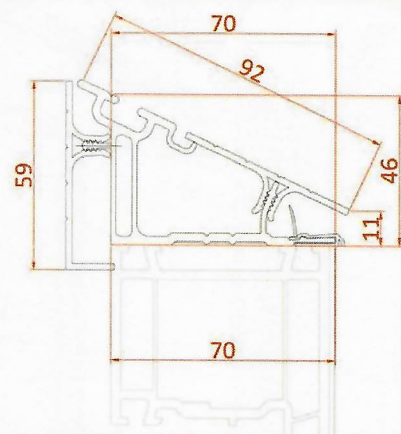
## Gable Beam Support



## Rider Rail Eaves

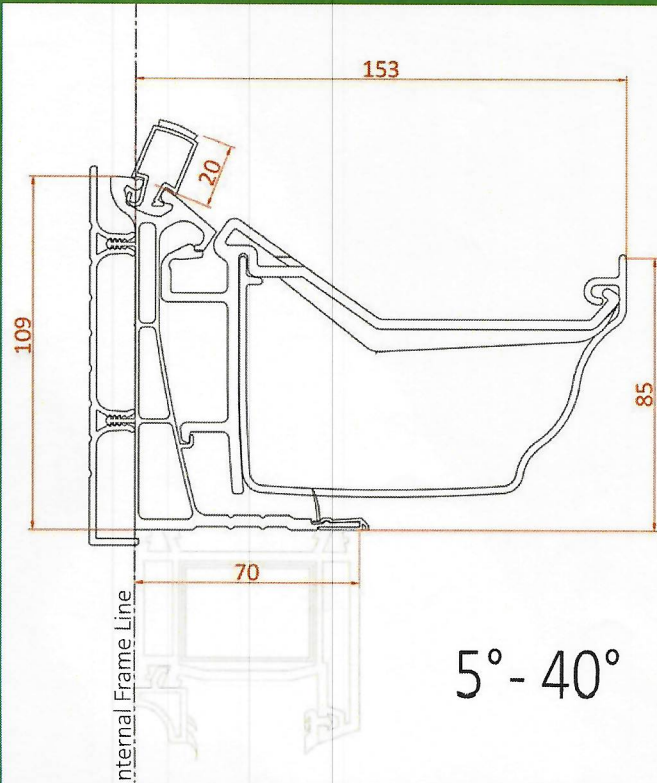


## Lantern Eaves (25°)



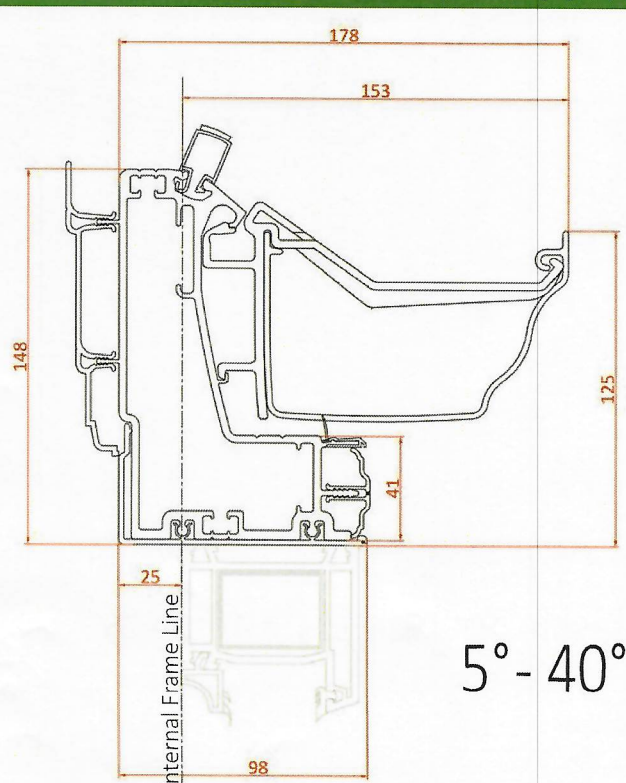
The pitch is Fixed at 25° ONLY

## Standard Eaves Beam



5° - 40°

## Structural Eaves Beam



5° - 40°